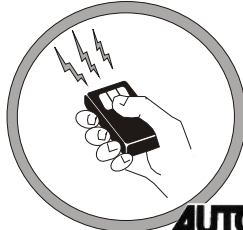
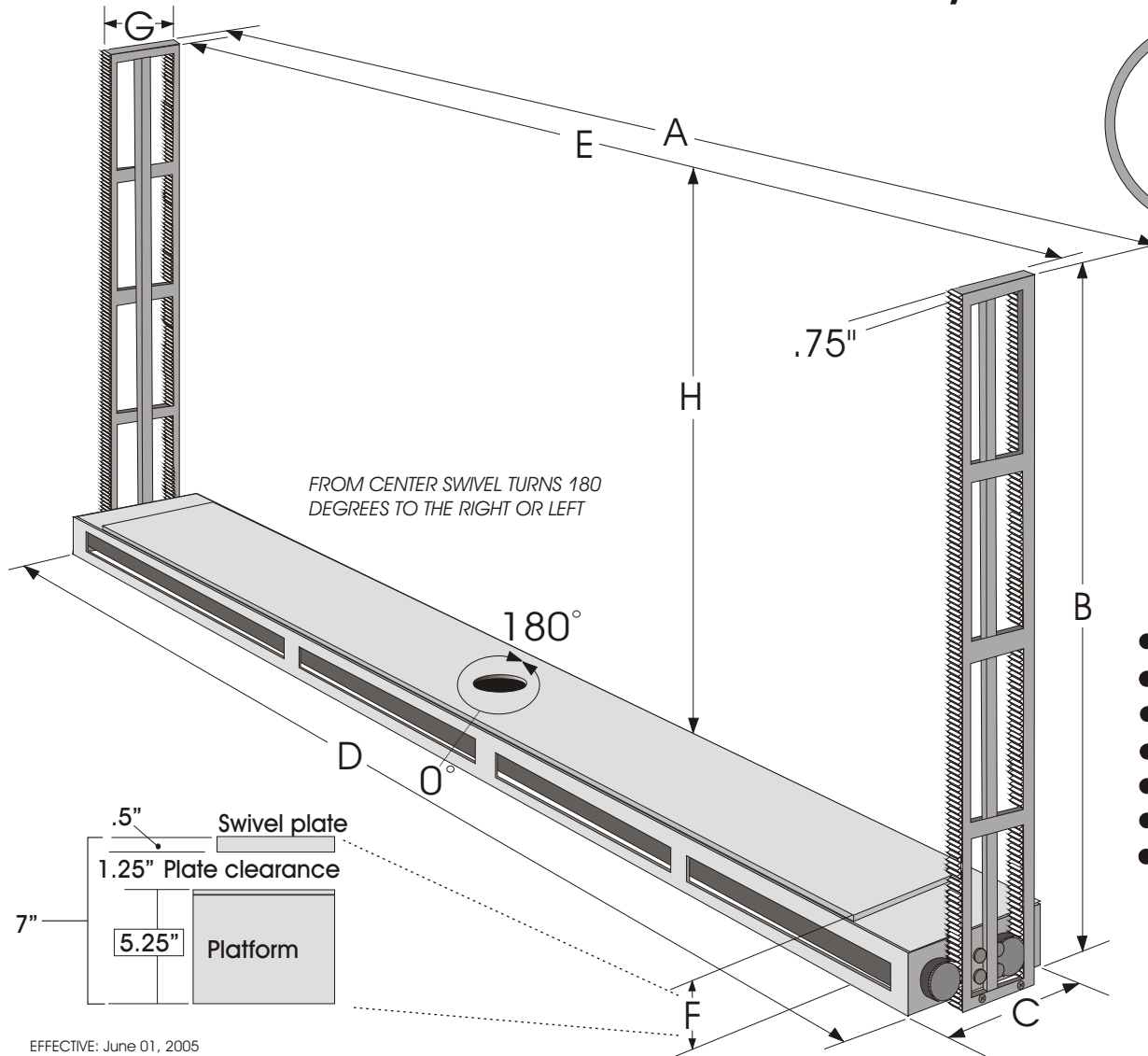


AUTON MOTORIZED PLASMA/LCD LIFT & SWIVEL SERIES



AUTON POP UP TV LIFTS

AUTON MOTORIZED SYSTEMS
 27555 AVENUE SCOTT
 VALENCIA, CA 91355
 661.257.9282
 FAX 661.295.5638
 BEVERLY HILLS 310.659.1718
 E-MAIL: tvlifts@auton.com
 INTERNET <http://www.auton.com>

- Since 1955
- Inventor - Rack & Pinion TV Lift
- World's Oldest & Largest Manufacturer of TV Lifts
- Ready for Quick, Easy Installation
- Welded Steel Construction for Maximum Strength
- Smooth Rack & Pinion Operation
- Optional Controllers for This Model:
 - Radio Remote (S4P-SWL-RF)
 - Infrared Remote (S4P-SWL-IR)
 - Low Voltage Control (LV56-SWL)

EFFECTIVE: June 01, 2005

ALL MEASUREMENTS IN INCHES

Model	A	B	C	D	E	F	G	H	Travel	Max Load
1000-PS	26	26	9	23.25	24.5	7	7	19	21	100 Lbs
1000.5-PS	40	32	9	37.25	38.5	7	7	25	27	150 Lbs
1001-PS	46	35	9	43.25	44.5	7	7	28	30	200 Lbs
1002-PS	54	37	9	51.25	52.5	7	7	30	32	200 Lbs
1003-PS	64	42	9	61.25	62.5	7	7	35	37	300 Lbs
1004-PS	74	47	9	71.25	72.5	7	7	40	42	350 Lbs
CUSTOM										