



RS 20000

Residential Standby GenSet

**Model 20 GGDB
Gaseous Fueled
60 Hz**



Residential GenSet

- **Very Quiet Operation - Less than 71 dB(A) at 7 m**
- **Fully Automatic Operation when used with our RST Automatic Transfer Panel**
- **Available for use with Natural Gas or LP Vapor**
- **Attractive and Discreet Housing**
- **Electronic Governor for Precise Frequency Control**

Models and Ratings

<u>Order Model</u>	<u>Fuel</u>	<u>Voltage</u>	<u>Max kW</u>	<u>Rated kW</u>	<u>Rated Amps</u>	<u>Circuit Breaker</u>
20GGDB/671	Nat. Gas	120/240	20 kW	20 kW	166.6/83.3	90-Amp, 2-Pole
20GGDB/670	LP Vapor	120/240	20 kW	20 kW	166.6/83.3	90 Apm, 2-Pole

Ratings apply to altitudes up to 3500 ft (1829 m), 85°F (30°C). Total Power available will decrease 5% for each 1000 ft (305 m) above sea level and 1.0% for each 10°F (5.5°C) increase in ambient temperature above 85°F (30°C)

Weight, Size and Sound Level

- 880 lb (400 kg)
- Length: 64 in (1626 mm); width: 28 in (711 mm); height: 50 in (1270 mm)
- Less than 71 dB(A) at 7 m, average

Engine Facts

Engine: Ford, industrial, spark-ignited
Design: In-line 4-cylinder, liquid-cooled
Compression Ratio: 9.4
Displacement: 150 cu in (2500 cc)

Cooling System: 104° F ambient cooling system
Oil Sump Capacity: 4.5 qt (4.3 L) with filter
Operating Speed: 1800 RPM

Engine Features

- Electronic ignition
 - Electronic governor
 - Full-pressure lubrication
 - High-capacity oil sump, spin-on oil filter
 - Solenoid shift starter
 - 95-amp, engine-driven battery charger
-

Exhaust Muffler

- Enclosed exhaust silencer
 - Heat shield
 - Low noise
-

Control System Features

- Automatic remote starting
 - Controls generator set starting and shutdown
 - Control components designed to withstand the vibration levels typical in generator sets
 - Field circuit breaker
 - High temperature, low oil pressure, overcrank and overspeed shutdowns
 - Running time meter
 - 90-amp UL-listed circuit breaker
 - DC control fuse
-

Generator Details

Design: Brushless, revolving field, single bearing, 4-pole, drip-proof construction
Insulation System: Class F per NEMA MG1-1.65 and BS2757
Temperature Rise: At rated load is less than 105°C at standby rating, per NEMA MG1.22.40, IEEE 115 and IEC 34-1
Exciter Type: The excitation system derives its power from the main output of the generator, eliminating the need for a separate excitation power source
Alternator Cooling: Direct drive centrifugal blower
Rotor: Supported by a pre-lubricated maintenance-free ball bearing

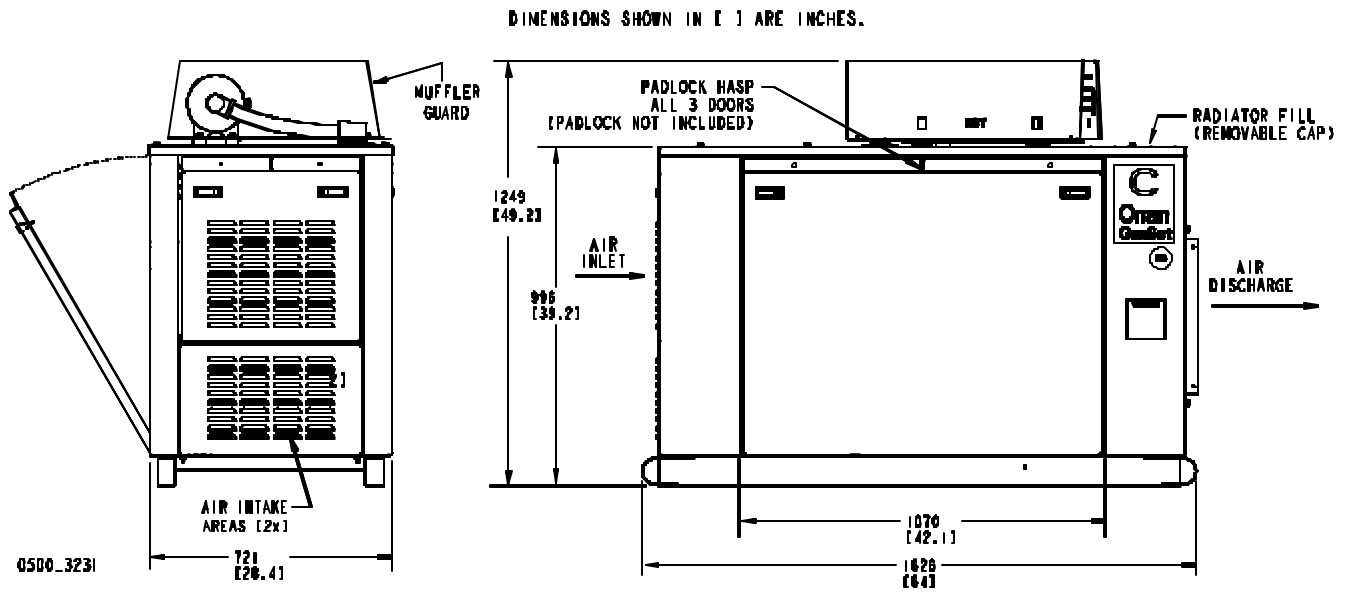
GenSet Performance

Voltage: 120/240 VAC, single phase, 1.0 pf
Voltage Regulation: 2%, no load to full load
Frequency Regulation: Isochronous, 0% no load to full load
Operating Temperature: -20°F (-28.8°C) to 122°F (50°C)

Fuel Consumption

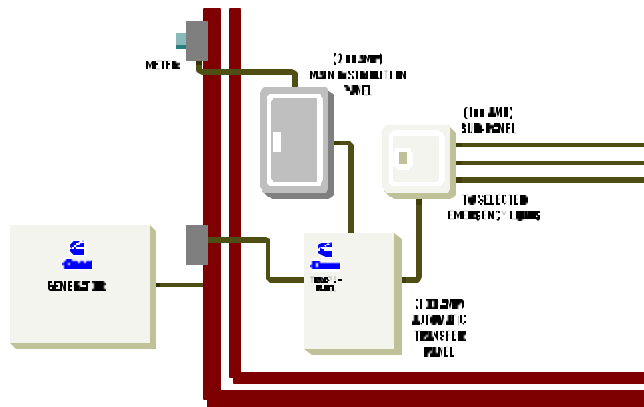
Natural Gas	<u>ft³/hr</u>	<u>m³/hr</u>	LP Vapor	<u>ft³/hr</u>	<u>m³/hr</u>	<u>gal/hr</u>	<u>L/hr</u>
25% Load:	122	3.5	25% Load:	44	1.3	1.2	4.5
50% Load:	163	4.6	50% Load:	64	1.8	1.8	6.8
75% Load:	201	5.7	75% Load:	74	2.1	2.0	7.6
Full Load:	252	7.1	Full Load:	84	2.4	2.3	8.7

Basic Dimensions

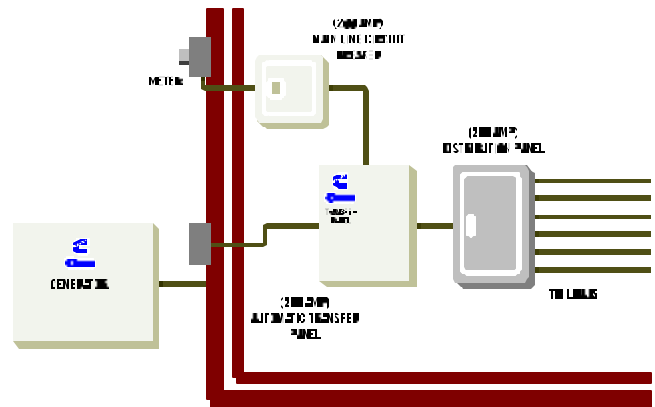


Drawing Reference Number 0500-3231

Automatic Transfer Panel Configurations



Dedicated Emergency Standby Service System (100 Amp)



Full-Service Rating Standby System (200 Amp)

Housing Features

- Weather protective design, two easy service access doors -- key-lockable
- Internal starting battery tray and tie down
- Heavy-duty steel housing, stainless steel fasteners

Options and Accessories

- Battery, 12 V, 325 cca (Part #416-0774)
- Coolant heater, 120 V, 1500 W (Part #333-631-01)
- Coolant heater, 240 V, 1500 W (Part #333-631-02)
- Full line of complementing automatic transfer panels

Warranty Policy

The Cummins Onan RS 20000 Home Standby System comes with a standard one-year warranty. Additional three- and five-year warranty options are available. See your certified distributor of dealer for details.

After Sale Support

GENUINE ONAN MAINTENANCE CARE PARTS AND PRODUCTS - For your ongoing satisfaction and the dependability of your Onan engine, Onan offers a complete line of parts, oil and maintenance chemicals specifically designed for Onan engines and available at your nearby Onan dealer.

EASY TO LOCATE CERTIFIED ONAN SERVICE AND PARTS DEALERS - Onan has trained, tested and certified over 1000 authorized Onan Service Dealers covering most major metropolitan areas in the U.S. and Canada. To easily locate the certified Onan Service Dealer no matter where you travel, call 1-800-888-ONAN or look in the yellow pages under "Engines".

See your distributor for more information



Onan Corporation 1400 73rd Avenue N.E. Minneapolis, MN 55432
1-800-888-ONAN • Fax 612-574-5298 • <http://www.onan.com>



CSA-certified for electrical equipment. Meets CSA C22.2



Important: Backfeed to a utility system can cause electrocution and/or property damage. Do not connect to any building's electrical system except through an approved device or after building main switch is open. Standby Rating based on: Applicable for supplying emergency power for the duration of normal power interruption. No sustained overload capability is available for this rating. (Equivalent to Fuel Stop Power in accordance with ISO3046, AS2789, DIN6271, and BS5514.) Nominally rated. (See T-030 document for more information.)