



Cinema Select LCR (left);
Cinema Select SUR (right)



Sonance Cinema® Series

Cinema Select LCR & SUR



Sonance Cinema Select® speakers bring true cinema performance to those with smaller theater rooms. In fact, earning THX® Select certification guarantees that in rooms up to 2,000 cubic feet, Cinema Select speakers will reproduce film soundtracks just as their filmmakers intended them to sound.

By incorporating the latest materials and technologies, Cinema Select speakers perform just as impressively with music as they do with film soundtracks, while their paintable aluminum grilles and small footprint let them practically disappear into the décor.

Sonance Cinema Select speakers establish a formidable standard of home entertainment performance that makes them ideal for both multi-channel home theater and music applications, all while effortlessly integrating into almost any lifestyle.

Features:

- **THX® Select certification guarantees cinema-quality performance in rooms up to 2,000 ft³.**
- **Ideal for both home theater and multi-channel music applications.**
- **Advanced carbon fiber woofer cones deliver robust, low-distortion bass in a small footprint that increases installation options.**
- **Tweeter acoustic back chamber widens and smoothes high-frequency performance.**
- **Neodymium woofer magnets increase output and power handling.**
- **Low-resonance 3/4" MDF baffles.**
- **Cinema Select LCR has shielded magnets that allow installation near CRT video displays.**
- **Cinema Select SUR features a wide-dispersion monopole design that creates a spacious, enveloping surround sound environment.**
- **The RotoLock® mounting system makes installation quick and easy.**
- **Exclusive new FastMount® tabs hold speaker in the mounting hole during installation, allowing installer to let go of the speaker to pick-up tools or other items.**

Specifications:

Cinema Select LCR

Tweeter:	1" (25mm) Silk dome, Ferrofluid-cooled, shielded magnet
Woofer:	6½" (165mm) Carbon fiber cone, rubber surround, shielded magnet
Frequency Response:	80Hz – 20kHz ±3dB
Impedance:	8 Ohms nominal; 5 Ohms minimum
Power Handling:	5 watts minimum; 135 Watts maximum
Sensitivity:	90dB SPL (2.83V 1 meter)
Grille Material:	Perforated aluminum
Dimensions (W x H x D):	8¼" x 12 ^{3/16} " x 3 ^{7/8} " (210mm x 310mm x 98mm)
Cutout Dim. (W x H):	6 ^{13/16} " x 10 ^{11/16} " (172mm x 270mm)
Shipping Weight:	5 lbs. (2.3kg) Each

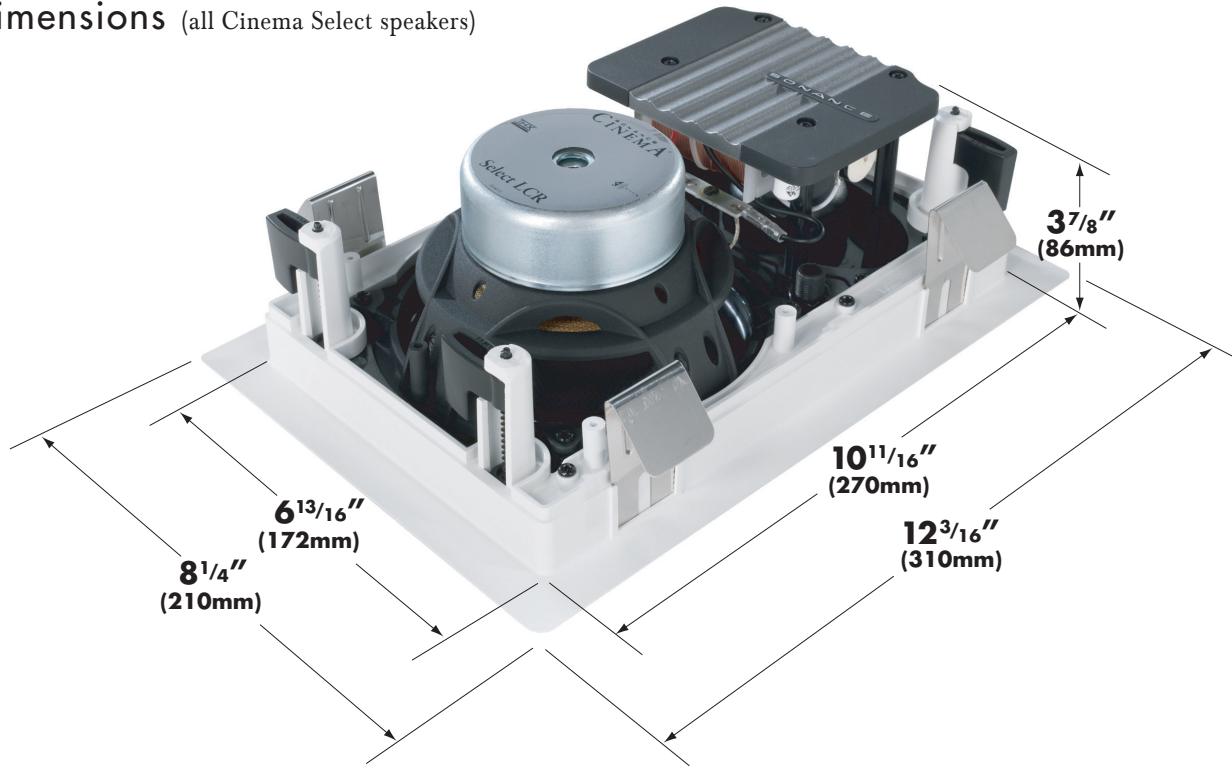
Cinema Select SUR

Tweeter:	Two 1" (25mm) silk domes, Ferrofluid-cooled
Woofer:	6½" (165mm) Carbon fiber cone, rubber surround
Frequency Response:	55Hz – 20kHz ± 3dB
Impedance:	8 Ohms nominal; 5 Ohms minimum
Power Handling:	5 watts minimum; 135 Watts maximum
Sensitivity:	90dB SPL (2.83V 1 meter)
Grille Material:	Perforated aluminum
Dimensions (W x H x D):	8¼" x 12 ^{3/16} " x 3 ^{7/8} " (210mm x 310mm x 98mm)
Cutout Dim. (W x H):	6 ^{13/16} " x 10 ^{11/16} " (172mm x 270mm)
Shipping Weight:	10 lbs. (4.5kg) Pair

Cinema Select LCR & SUR



Dimensions (all Cinema Select speakers)



SONANCE

212 Avenida Fabricante
San Clemente, CA 92672-7531 USA
(800) 582-7777 or (949) 492-7777
FAX: (949) 361-5151
Technical Support: (800) 582-0772
WWW.SONANCE.COM

Optional Accessories:

SymphonyT FlexBracket (part #92336): Plastic template to reserve a mounting hole for Cinema Select speakers in new construction. Designed to be used with the RotoLock® mounting system.

SymphonyT Coverplate (part #92334): Reusable cover protects the hole made by the FlexBracket during construction until the speaker is installed.

SymphonyT Acoustic Enclosure (part #91687): 1/2" MDF enclosure that provides ideal acoustic performance and maximum reduction of sound transmission into adjacent spaces. Designed for use only in new construction.

Sonafill® In-Wall System (part #91698): Retrofittable acoustical treatment for in-wall speakers consisting of two pillows and four tiles that virtually eliminates noise produced by resonating drywall. Dramatically improves midbass sound quality and reduces sound transmission into adjacent rooms.