

## Eurostyle Main Sink Faucet with Hose and Spray, 33 980 - Kitchen/Bar/Basin Tap

[Print](#) Page 1

Main Image



### Description

- New Eurostyle Lever Handle
- GROHE SilkMove® Ceramic Cartridge
- 9 7/16" Spout Reach
- Stainless Steel Braided Flexible Supplies
- Quick Installation System

### Flow Rate

2.2 gpm at 60 psi, 2.5 gpm at 80 psi or 9.5 lpm

### Code Compliance

- ASME/ANSI A112.18.M
- ANSI/NSF Standard 61
- ADA Compliant

### Finishes



33 980a OOO Chrome  
\$435.00



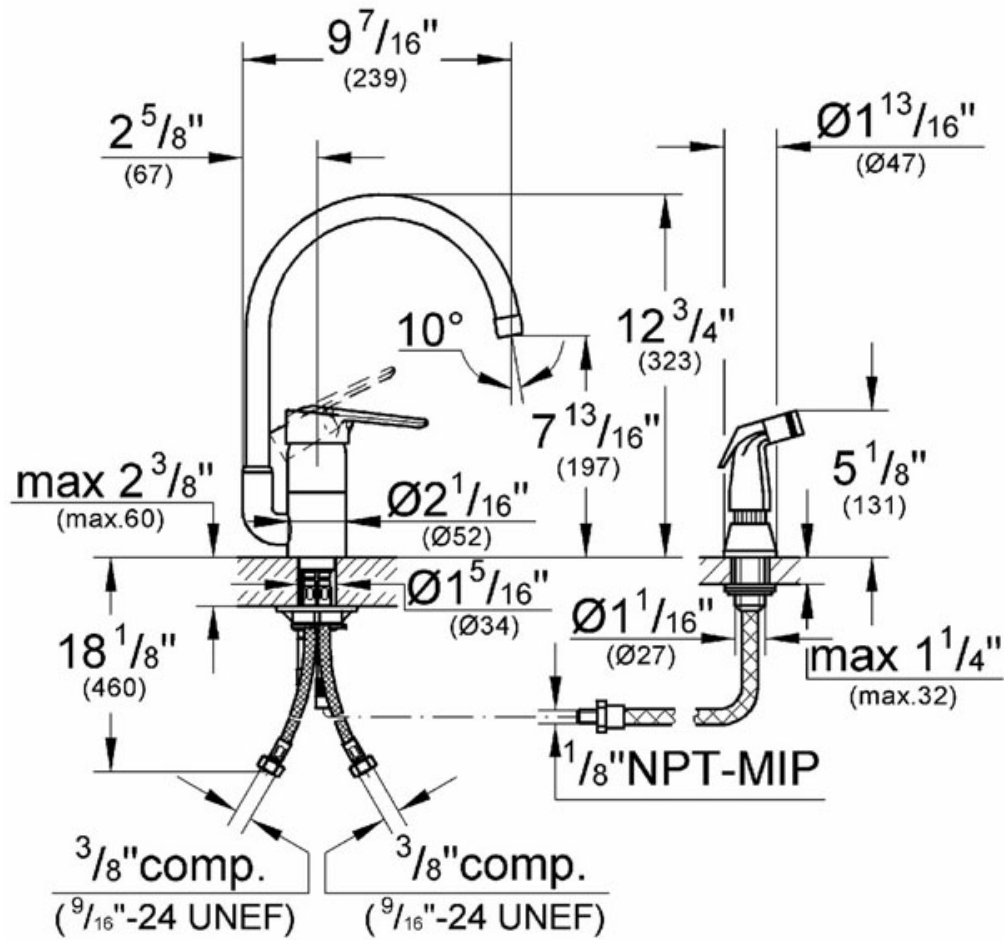
33 980a AVO Infinity Satin  
Nickel

GROHE AMERICA, INC \* 241 COVINGTON DRIVE, BLOOMINGDALE, IL 60108 \* 630-582-7711 \* FAX: 630-582-7722

# Eurostyle Main Sink Faucet with Hose and Spray, 33 980 - Kitchen/Bar/Basin Tap

[Print](#) Page 2

## Dimensional Drawing

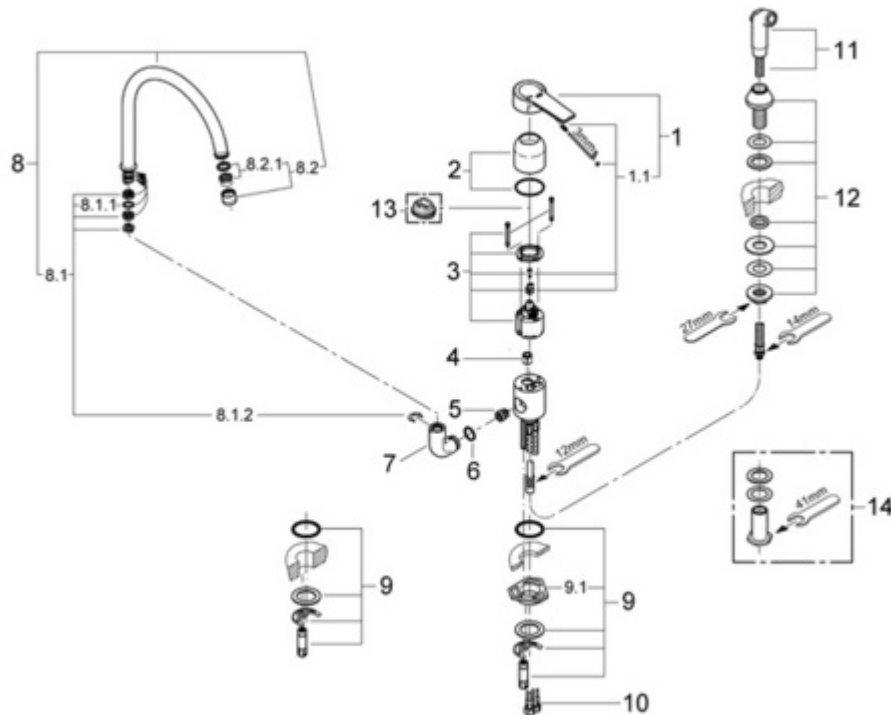


GROHE AMERICA, INC \* 241 COVINGTON DRIVE, BLOOMINGDALE, IL 60108 \* 630-582-7711 \* FAX: 630-582-7722

# Eurostyle Main Sink Faucet with Hose and Spray, 33 980 - Kitchen/Bar/Basin Tap

[Print](#) Page 3

## Exploded View with Spare Parts List



Pos No.	Spare Part Description	Product No.	Pcs.
	<b>33 980</b>		
1	Handle	46 458	1
1.1	Handle connection set	46 459	1
2	Cover cap	46 243	1
3	Ceramic cartridge	46 048	1
4	Check valve	08 565	1
5	Diverter	07 970	1
6	O-ring	01 287	1
7	Elbow	09 469	1
8	Spout assembly	13 049	1
8.1	Swivel spout repair set	45 382	1
8.1.1	O-ring	01 285	1
8.1.2	Retainer clip	04 853	1
8.2	Laminar control	13 954	1
8.2.1	Flow regulator	45 220	1
9	Mounting kit	46 193	1
9.1	Brace	05 334	1
10	Flexible connect hose	46 413	1
11	Spray & hose white	27 824	1
12	Spray holder	28 729	1
13	Temperature limit stop	46 308	1
14	2" extension for kitchen spray	12 922	1

GROHE AMERICA, INC \* 241 COVINGTON DRIVE, BLOOMINGDALE, IL 60108 \* 630-582-7711 \* FAX: 630-582-7722