



## Product Catalog

 Product Number Search  

Advanced Search

[Categories](#) [Product Lines](#) [My Project](#) [Grohe America](#)
[Add to Project](#)
[Specification](#)
[Parts](#)
[Printable View](#)

## Kitchen/Bar/Basin Tap: LadyLux Cafe

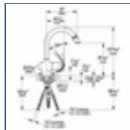
## Stainless Steel pull-out, 33 765

## Views

Left-click to view, right-click to download



main



dimensions



exploded

Part No.	Description	Quantity
33765	Faucet	1
33765-01	Spout	1
33765-02	Handle	1
33765-03	Cartridge	1
33765-04	Decorative cap	1
33765-05	Decorative cap	1
33765-06	Decorative cap	1
33765-07	Decorative cap	1
33765-08	Decorative cap	1
33765-09	Decorative cap	1
33765-10	Decorative cap	1
33765-11	Decorative cap	1
33765-12	Decorative cap	1
33765-13	Decorative cap	1
33765-14	Decorative cap	1
33765-15	Decorative cap	1
33765-16	Decorative cap	1
33765-17	Decorative cap	1
33765-18	Decorative cap	1
33765-19	Decorative cap	1
33765-20	Decorative cap	1
33765-21	Decorative cap	1
33765-22	Decorative cap	1
33765-23	Decorative cap	1
33765-24	Decorative cap	1
33765-25	Decorative cap	1
33765-26	Decorative cap	1
33765-27	Decorative cap	1
33765-28	Decorative cap	1
33765-29	Decorative cap	1
33765-30	Decorative cap	1
33765-31	Decorative cap	1
33765-32	Decorative cap	1
33765-33	Decorative cap	1
33765-34	Decorative cap	1
33765-35	Decorative cap	1
33765-36	Decorative cap	1
33765-37	Decorative cap	1
33765-38	Decorative cap	1
33765-39	Decorative cap	1
33765-40	Decorative cap	1
33765-41	Decorative cap	1
33765-42	Decorative cap	1
33765-43	Decorative cap	1
33765-44	Decorative cap	1
33765-45	Decorative cap	1
33765-46	Decorative cap	1
33765-47	Decorative cap	1
33765-48	Decorative cap	1
33765-49	Decorative cap	1
33765-50	Decorative cap	1
33765-51	Decorative cap	1
33765-52	Decorative cap	1
33765-53	Decorative cap	1
33765-54	Decorative cap	1
33765-55	Decorative cap	1
33765-56	Decorative cap	1
33765-57	Decorative cap	1
33765-58	Decorative cap	1
33765-59	Decorative cap	1
33765-60	Decorative cap	1
33765-61	Decorative cap	1
33765-62	Decorative cap	1
33765-63	Decorative cap	1
33765-64	Decorative cap	1
33765-65	Decorative cap	1
33765-66	Decorative cap	1
33765-67	Decorative cap	1
33765-68	Decorative cap	1
33765-69	Decorative cap	1
33765-70	Decorative cap	1
33765-71	Decorative cap	1
33765-72	Decorative cap	1
33765-73	Decorative cap	1
33765-74	Decorative cap	1
33765-75	Decorative cap	1
33765-76	Decorative cap	1
33765-77	Decorative cap	1
33765-78	Decorative cap	1
33765-79	Decorative cap	1
33765-80	Decorative cap	1
33765-81	Decorative cap	1
33765-82	Decorative cap	1
33765-83	Decorative cap	1
33765-84	Decorative cap	1
33765-85	Decorative cap	1
33765-86	Decorative cap	1
33765-87	Decorative cap	1
33765-88	Decorative cap	1
33765-89	Decorative cap	1
33765-90	Decorative cap	1
33765-91	Decorative cap	1
33765-92	Decorative cap	1
33765-93	Decorative cap	1
33765-94	Decorative cap	1
33765-95	Decorative cap	1
33765-96	Decorative cap	1
33765-97	Decorative cap	1
33765-98	Decorative cap	1
33765-99	Decorative cap	1
33765-100	Decorative cap	1

parts list

## Description

- DISCONTINUED PRODUCT-
- Limited Availability
- Single-Handle kitchen pull-out
- 360° swivel spout
- Solid stainless steel formed body
- Ceramic cartridge
- 59" extractable hose
- 8 1/2" spout reach
- Quick installation system
- Stainless steel braided flexible supplies
- Integral check valves
- Single hole installation
- Installation note: For full handle movement when mounted in front of a wall or backsplash, this faucet must be installed with no less than 3 1/4"es of clearance between the faucet and backsplash or wall, unless the faucet is installed with the handle facing forward (handle opposite the wall).
- IAPMO File #1750

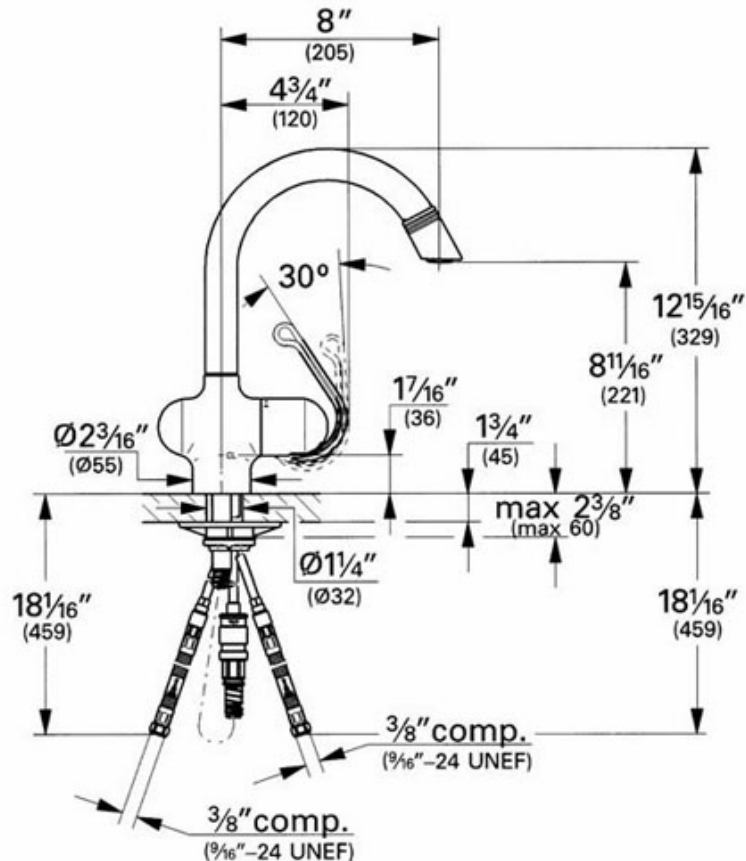
## Flow Rate

2.2 at 60 psi (2.5 at 80 psi or 9.5 lpm)

## Code Compliance

- ASME/ANSI A112.18.1M
- ANSI/NSF Standard 61
- ADA Compliant

## Finishes and Suggested List Prices\*



33 765 SDO Stainless Steel  
\$835.00



33 765 KDO Stainless  
Steel/Black  
\$835.00

**Rough-In Valves**

N/A



## Product Catalog

Categories Product Lines

My Project

Grohe  
America

Product Number Search    
Advanced Search

Add to Project

Specification

Parts

Printable View

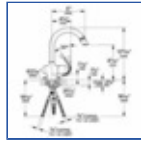
## Kitchen/Bar/Basin Tap: LadyLux Cafe Stainless Steel pull-out, 33 765

### Views

Left-click to view, right-click to download



main



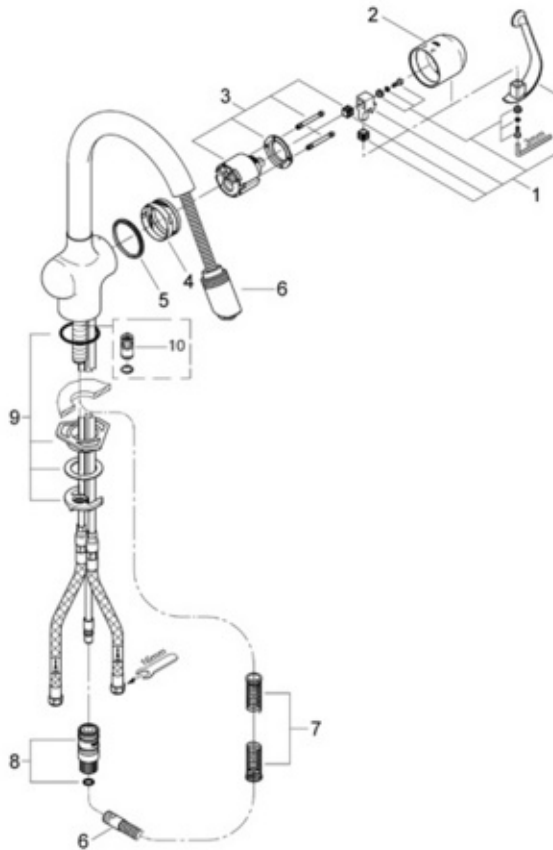
dimensions



exploded

Qty	Part Description	Product No.	Qty
1	33 765		
1	Lock handle	40 336	1
1	Cap	40 337	1
1	Ceramic cartridge	40 340	1
1	Cartridge cap	40 341	1
1	Hot tap	40 342	1
1	Hot tap seal	40 343	1
1	Pressure spring	22 256	1
1	Ceramic cartridge	40 344	1
1	Hot tap	40 345	1
1	Hot tap seal	40 346	1
1	Hot tap	40 347	1
1	Hot tap seal	40 348	1
1	Hot tap	40 349	1
1	Hot tap seal	40 350	1
1	Hot tap	40 351	1
1	Hot tap seal	40 352	1
1	Hot tap	40 353	1
1	Hot tap seal	40 354	1
1	Hot tap	40 355	1
1	Hot tap seal	40 356	1
1	Hot tap	40 357	1
1	Hot tap seal	40 358	1
1	Hot tap	40 359	1
1	Hot tap seal	40 360	1
1	Hot tap	40 361	1
1	Hot tap seal	40 362	1
1	Hot tap	40 363	1
1	Hot tap seal	40 364	1
1	Hot tap	40 365	1
1	Hot tap seal	40 366	1
1	Hot tap	40 367	1
1	Hot tap seal	40 368	1
1	Hot tap	40 369	1
1	Hot tap seal	40 370	1
1	Hot tap	40 371	1
1	Hot tap seal	40 372	1
1	Hot tap	40 373	1
1	Hot tap seal	40 374	1
1	Hot tap	40 375	1
1	Hot tap seal	40 376	1
1	Hot tap	40 377	1
1	Hot tap seal	40 378	1
1	Hot tap	40 379	1
1	Hot tap seal	40 380	1
1	Hot tap	40 381	1
1	Hot tap seal	40 382	1
1	Hot tap	40 383	1
1	Hot tap seal	40 384	1
1	Hot tap	40 385	1
1	Hot tap seal	40 386	1
1	Hot tap	40 387	1
1	Hot tap seal	40 388	1
1	Hot tap	40 389	1
1	Hot tap seal	40 390	1
1	Hot tap	40 391	1
1	Hot tap seal	40 392	1
1	Hot tap	40 393	1
1	Hot tap seal	40 394	1
1	Hot tap	40 395	1
1	Hot tap seal	40 396	1
1	Hot tap	40 397	1
1	Hot tap seal	40 398	1
1	Hot tap	40 399	1
1	Hot tap seal	40 400	1

parts list



### Description

- DISCONTINUED PRODUCT-
- Limited Availability
- Single-Handle kitchen pull-out
- 360° swivel spout
- Solid stainless steel formed body
- Ceramic cartridge
- 59" extractable hose
- 8 1/2" spout reach
- Quick installation system
- Stainless steel braided flexible supplies
- Integral check valves
- Single hole installation
- Installation note: For full handle movement when mounted in front of a wall or backsplash, this faucet must be installed with no less than 3 1/4"es of clearance between the faucet and backsplash or wall, unless the faucet is installed with the handle facing forward (handle opposite the wall).
- IAPMO File #1750

### Flow Rate

2.2 at 60 psi (2.5 at 80 psi or 9.5 lpm)

### Code Compliance

- ASME/ANSI A112.18.1M
- ANSI/NSF Standard 61
- ADA Compliant

**Finishes and Suggested List Prices\***



33 765 SDO Stainless  
Steel  
\$835.00



33 765 KDO Stainless  
Steel/Black  
\$835.00

**Rough-In Valves**

N/A

Pos No.	Spare Part Description	Product No.	Pcs.
	<b>33 765</b>		
1	Lever handle	46 309	1
2	Cap	46 311	1
3	Ceramic cartridge	46 048	1
4	Guide ring	05 380	1
5	Slip ring	04 954	1
6	Hose & head	46 348	1
7	Pressure spring	07 240	1
8	Quick coupling	46 315	1
9	Mounting kit	46 345	1
10	Vacuum breaker	46 137	1
	(for models prior to 2006)		
	<b>Special Accessories</b>		
	10" Euro escutcheon	07 552	1