

## LadyLux Cafe Stainless Steel pull-out spray, 33 755 - Kitchen/Bar/Basin Tap

[Print](#) Page 1

Main Image



### Description

- Single-Handle kitchen pull-out
- Solid stainless steel formed body
- 360° swivel spout
- Convenient Dual Spray Trigger (hold and release)
- on/off spray control
- SpeedClean anti-lime system
- Ceramic cartridge
- 59" extractable hose
- 8" spout reach
- Quick installation system
- Stainless steel braided flexible supplies
- Integral check valves
- Single hole installation
- Installation note: For full handle movement when mounted in front of a wall or backsplash, this faucet must be installed with no less than 3 1/4"es of clearance between the faucet and backsplash or wall, unless the faucet is installed with the handle facing forward (handle opposite the wall).
- IAPMO File #1750

### Flow Rate

### Finishes

2.2 at 60 psi, 2.5 at 80 psi or 9.5 lpm

## **Code Compliance**

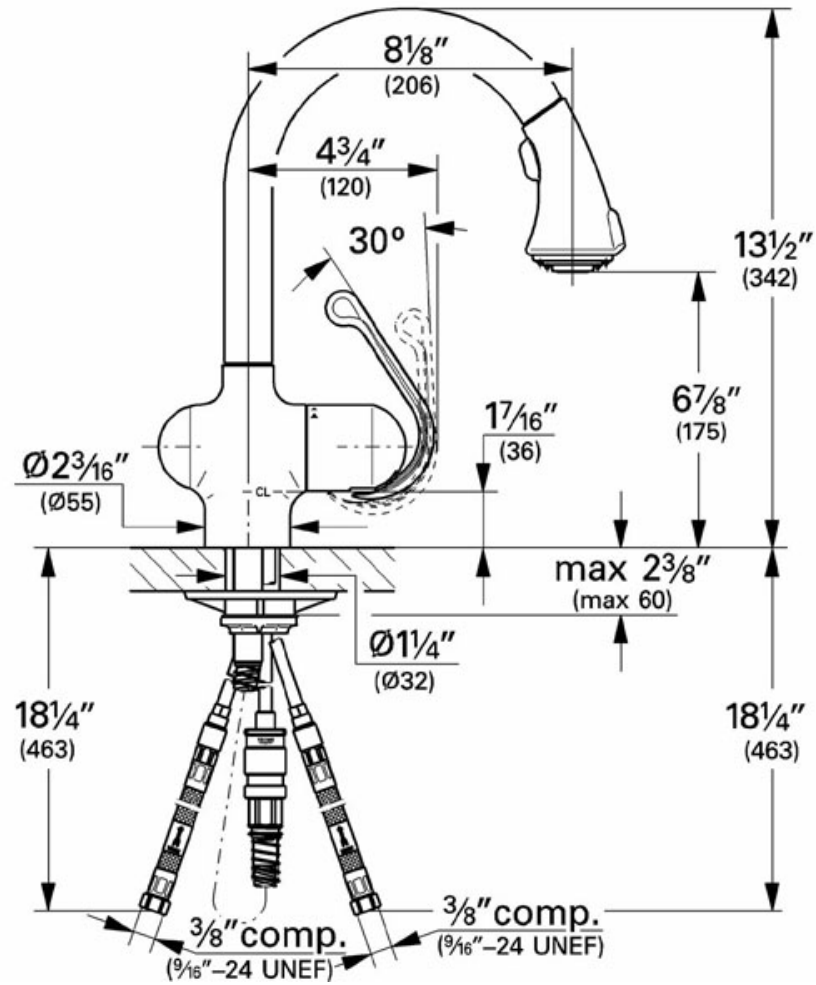
- ASME/ANSI A112.18.M
- ANSI/NSF Standard 61
- ADA Compliant

GROHE AMERICA, INC \* 241 COVINGTON DRIVE, BLOOMINGDALE, IL 60108 \* 630-582-7711 \* FAX: 630-582-7722

# LadyLux Cafe Stainless Steel pull-out spray, 33 755 - Kitchen/Bar/Basin Tap

[Print](#) Page 2

## Dimensional Drawing

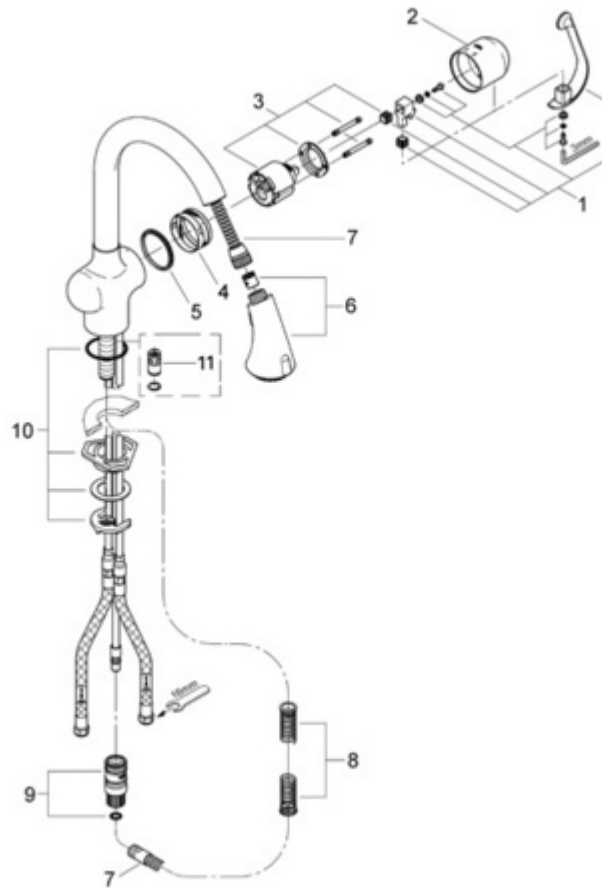


GROHE AMERICA, INC \* 241 COVINGTON DRIVE, BLOOMINGDALE, IL 60108 \* 630-582-7711 \* FAX: 630-582-7722

# LadyLux Cafe Stainless Steel pull-out spray, 33 755 - Kitchen/Bar/Basin Tap

[Print](#) Page 3

## Exploded View with Spare Parts List



Pos No.	Spare Part Description	Product No.	Pcs.
	<b>33 755</b>		
1	Lever handle	46 309	1
2	Cap	46 311	1
3	Ceramic cartridge	46 048	1
4	Guide ring	05 380	1
5	Slip ring	04 954	1
6	Hand held spray	46 175	1
7	Hose	46 174	1
8	Pressure spring	07 240	1
9	Quick coupling	46 315	1
10	Mounting kit	46 345	1
11	Vacuum breaker	46 137	1
	(for models prior to 2006)		
	<b>Special Accessories</b>		
	10" Euro escutcheon	07 552	1

GROHE AMERICA, INC \* 241 COVINGTON DRIVE, BLOOMINGDALE, IL 60108 \* 630-582-7711 \* FAX: 630-582-7722