

Pot Filler 31 041

Wall mounted pot filler



Description

GROHE RealSteel® Stainless Steel Construction
 20-inch jointed swing spout
 Two 1/4-turn shut-off valves located at wall and outlet
 GROHE SilkMove® ceramic cartridges
 Double O-ring seal and bearing joints
 Anti-rotation wall flange
 Single-hole installation, cold water only

Flow Rate

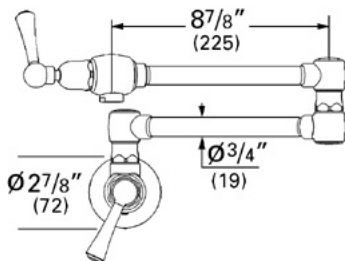
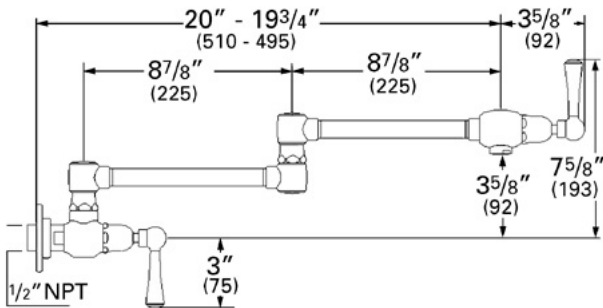
2.2 at 60 psi, 2.5 at 80 psi (9.5 lpm)

Code Compliance

- * ASME/ANSI A112.18.M
- * ANSI/NSF Standard 61

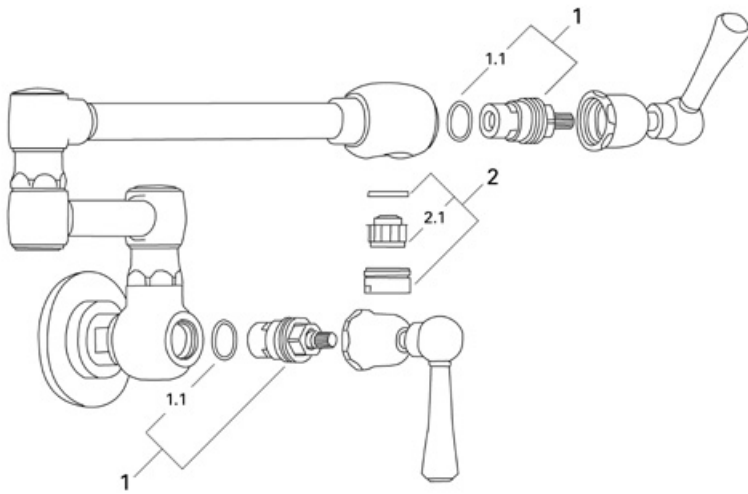
Finish Options

31 041 SDO Stainless Steel



Pot Filler 31 041
Wall mounted pot filler

Exploded View



Parts Breakdown

Pos No.	Spare Part Description	Product No.	Pcs.
	31 041		
1	90 degree carbodur cartridge	45 882	1
1.1	O-ring	03 924	1
2	Male laminar control	13 955	1
2.1	Flow regulator	45 220	1